

Project: Hurley Elementary - Paving Project

APRIL 12, 2018

Location: 535 South Dora Guzman Avenue, La Puente, CA 91744

General Description/Scope of Work:

Staff Parking Lot & Drop-off Driveway:

- Contractor is to remove any chain-link fence fabric material, in the parking lot area, which impedes on the paving process and then promptly reinstall said fence fabric, in a professional workmanship manner, at the completion of the project.
- *Remove and dispose of three (3) existing general parking lot signs, posts and footings in parking lot area. (Contractor is to provide & install new posts & signs, to match existing or equivalent)*
- *Remove and dispose of two (2) existing handicap parking stall signs, post and footing at the drop-off driveway area. (Contractor is to provide & install new posts & signs, per current ADA - Handicap Standards)*
- *Remove and dispose of any existing wood headers.*
- *Remove and dispose of any existing concrete wheel-stops.*

- *Remove and dispose of approximately 4,875 square feet of existing concrete paving, per job-walk description (actual thickness of concrete is unknown).*
- *Remove and dispose of approximately 23,000 square feet of existing asphalt paving (thickness of asphalt is known to be at least 6"). Existing base material is to be saved for reuse. (Base material is believed to be at least 3" to 3 0" in thickness). Contractor to add new base as required for grading & elevation purposes. ***Asphalt may contain Petromat****

- Grade and compact all areas to be paved for proper drainage and to receive 4" of hot-mix-asphalt [HMA] paving (**1 Yz' of Yz' f'me HMA over 2 W' of W' aggregate HMA**) over at least 4" of properly compacted CMB.
- Contractor is to haul-off & dispose of any excess dirt and/or project related rubble and debris.
- Reconstruct on site sidewalk & curb removed in demo phase.
- Construct 2 foot wide (min.) by approximately 100' long, concrete swale for proper "off property drainage", parallel to cafeteria building (see swale detail).
- Install 2"x 4" or 2" x 6" redwood header, where needed.
- Place 4" (min.) of CMB, compact and finish grade as required.
- Place **1 Yz' of Yz' f'me, hot-mix-asphalt [HMA] over 2 Yz' of %' aggregate, hot mix asphalt (for a total of 4" of HMA material)** over finish graded and compacted CMB.

- Install approximately 24, NEW, 6ft long concrete wheel stops at parking stalls adjacent to chain-link fence and at handicap parking stall posts & signs.
- Stripe parking lot as needed.
- Seal-coat & restripe new asphalt surface, 30 days following initial installation.
- Contractor is to provide the Rowland Unified School District with a written, one year, workmanship and material warranty, at completion of project.

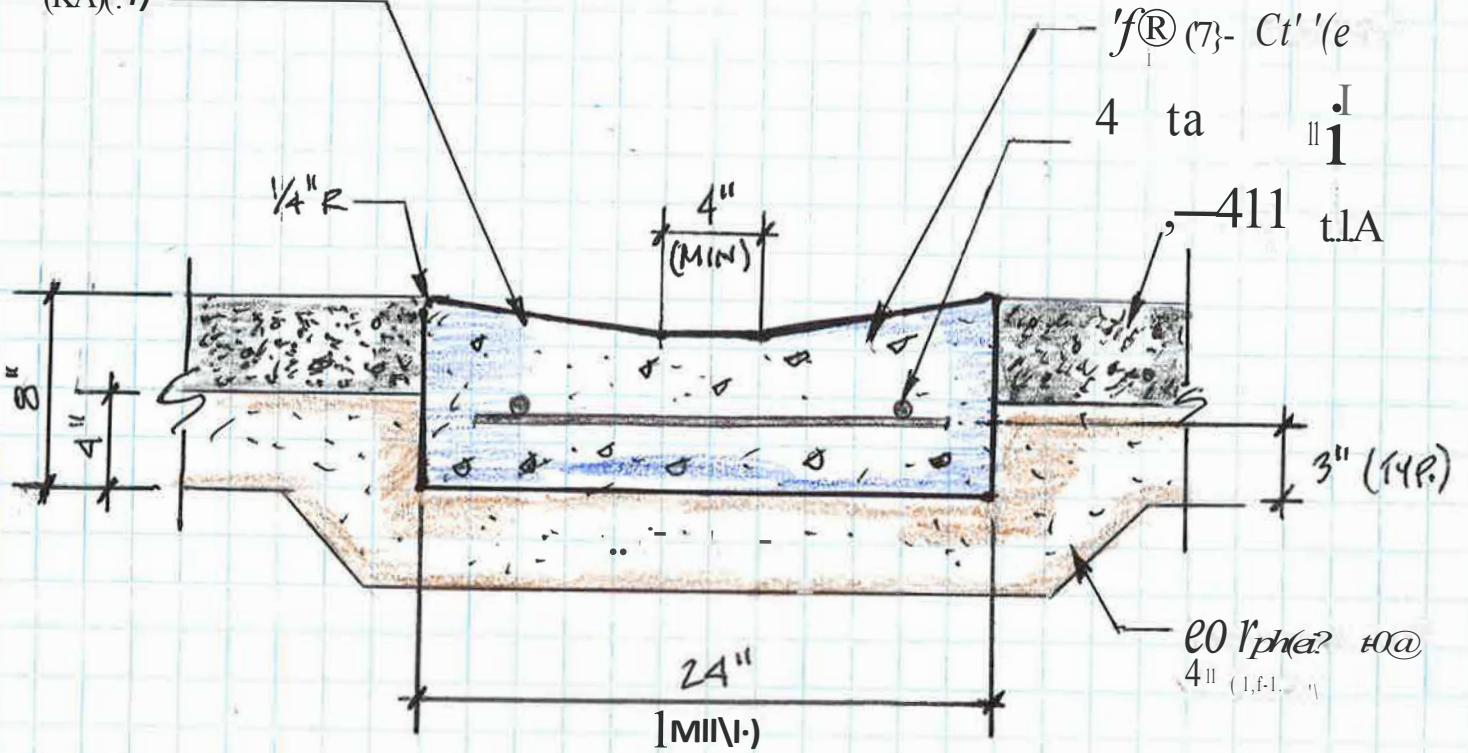
Note:

***Dimensions and quantities indicated above are/or reference ONLY.
Contractors bidding this project are responsible for field verifying all
dimensions and quantities shown.***



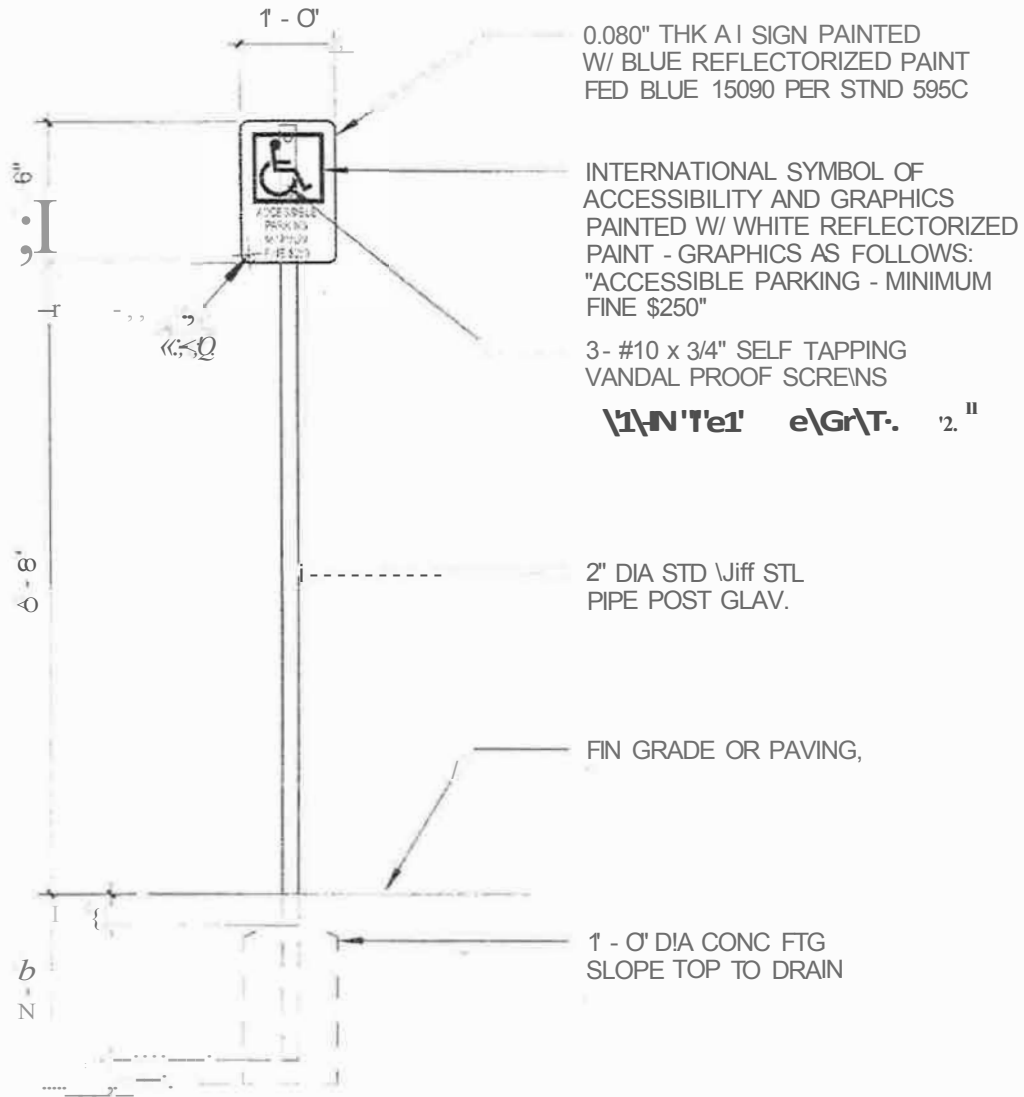
1rotfC? usfpt. uouJ(!
 0^l 1 {ef2..V 1,4"w, -t 1" reef

(KA)(.r)



SWALE DETAIL

N.T.S.



ACCESSIBLE PARKING SIGN 0